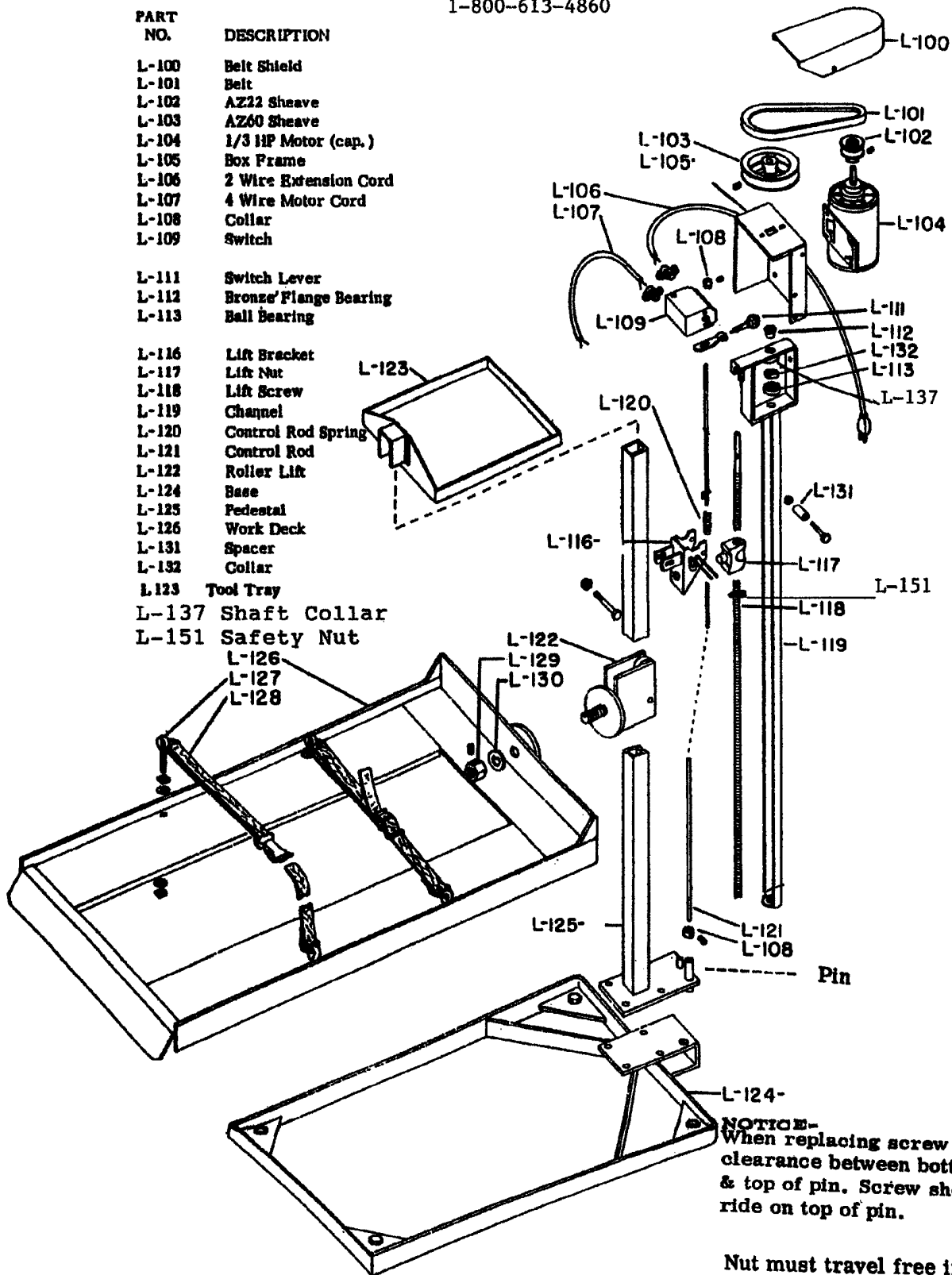


REPAIR PARTS LIST

Model 370-A Lawnmower Stand

1-800-613-4860

PART NO.	DESCRIPTION
L-100	Belt Shield
L-101	Belt
L-102	AZ22 Sheave
L-103	AZ60 Sheave
L-104	1/3 HP Motor (cap.)
L-105	Box Frame
L-106	2 Wire Extension Cord
L-107	4 Wire Motor Cord
L-108	Collar
L-109	Switch
L-111	Switch Lever
L-112	Bronze Flange Bearing
L-113	Ball Bearing
L-116	Lift Bracket
L-117	Lift Nut
L-118	Lift Screw
L-119	Channel
L-120	Control Rod Spring
L-121	Control Rod
L-122	Roller Lift
L-124	Base
L-125	Pedestal
L-126	Work Deck
L-131	Spacer
L-132	Collar
L-123	Tool Tray
L-137	Shaft Collar
L-151	Safety Nut



NOTICE-
When replacing screw allow 1/8" clearance between bottom of screw & top of pin. Screw should never ride on top of pin.

Nut must travel free in channel.