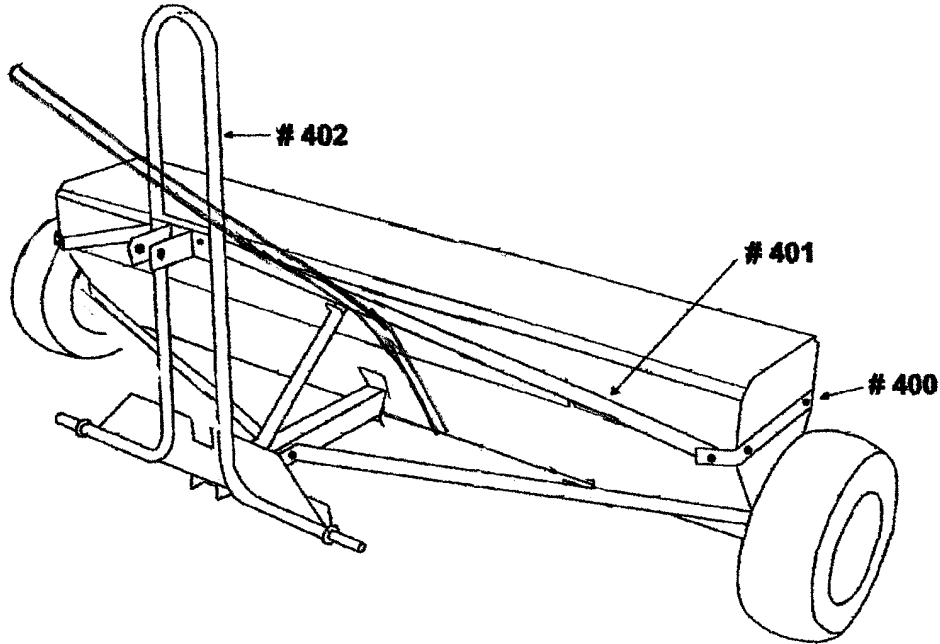


Garber Seeder Company

3-Point Drop Spreader



Parts List:

Name	Part Number	Number of pieces
Short Brace	#400	2
Long Brace	#401	2
Drop Spreader 3-Point Hitch	#402	1
5/16" x 2 1/2" bolt		1
5/16" x 2" bolt		2
5/16" x 1" bolt		6
5/16" nuts		9
5/16 lock washers		9

Drill 2 holes in each end of spreader box, 1" in from end and 5 1/4" down from top to mount short bracket #400.

Mount short brackets to box ends with 5/16x1" bolts.

Mount 3 pt hitch on present tongue with 5/16x2 1/2" bolt.

Mount long brackets #401 (1 per side from short braces to holes in 3 pt hitch). (Bent end mounts to 3 pt hitch with two 5/16x2" bolts) the other end mounts with 5/16x1" bolt to short bracket.